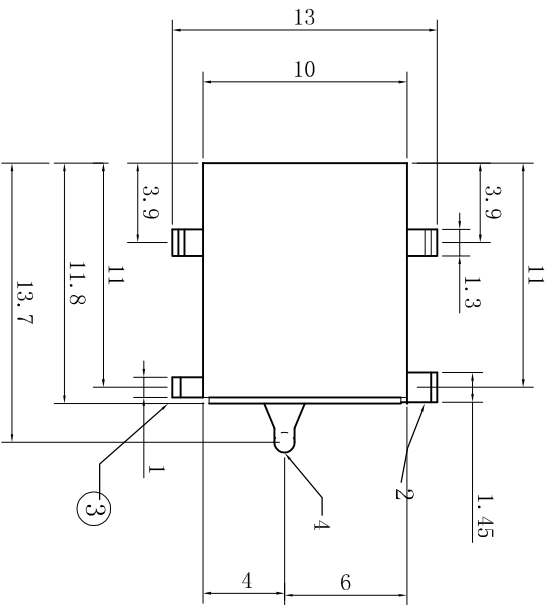
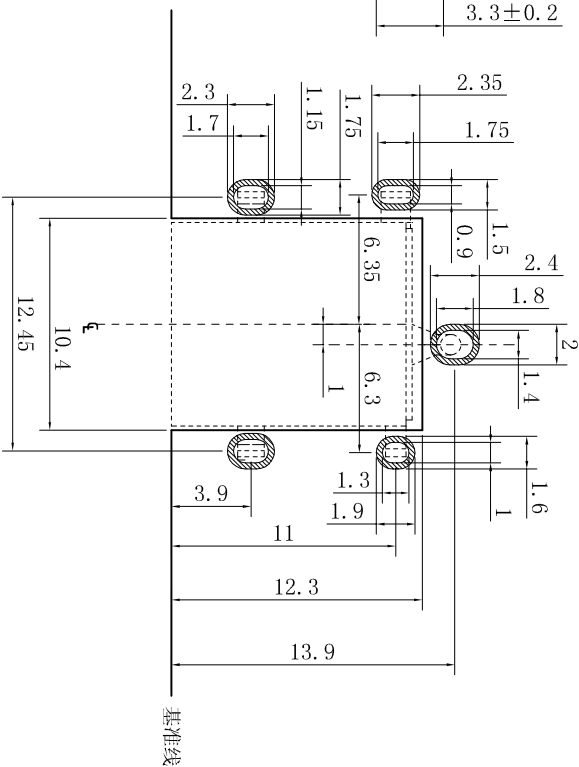
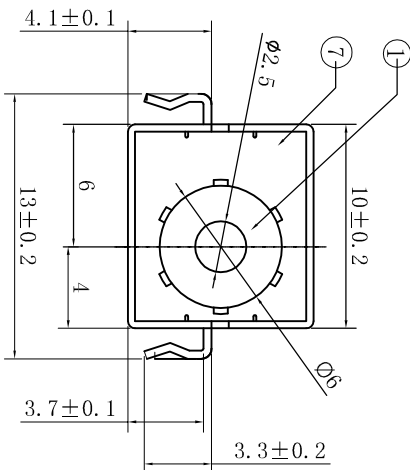
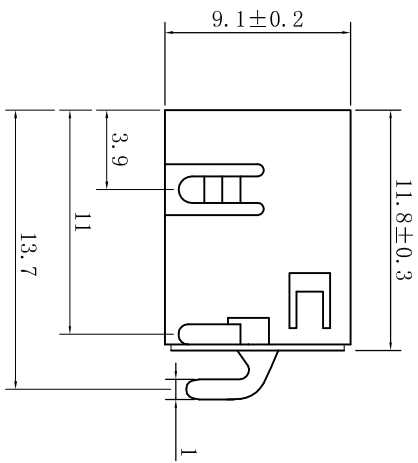
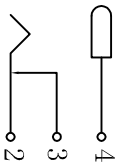


\* 所有原材料, 生产制程, 电镀必须符合ROHS要求



PIN	φ1.65	φ2.0	φ2.5
APPD			✓

SCHEMATIC



NO.	DESCRIPTION	QTY	MATERIAL	PLATING
7	FRONT COVER	1	STEEL	Ni-Plating
6	CARD	1	STEEL	
5	COAT	1	STEEL	Ni-Plating
4	PIN	1	BRASS	Ni-Plating
3	CURVE PIECE	1	BRASS	Ag-Plating
2	SPRING	1	BRONZE	Ag-Plating
1	HOUSING	1	LCP	
				PLATING

P.C.B



深圳市鑫南天科技有限公司  
Shen zhen Shi Xin Nan Tian Industrial Co., Ltd

DIMENSIONS UNIT: mm		PRODUCT NAME: DC 电源座 DC-511		PROJECT: COCO		DATE: 2018/08/25	
TOLERANCE: SEE TABLE		PRODUCT NO.: DC-511		CHECK: JAWY		DATE: 2018/08/25	
X, Y, Z ± 0.38		TREATING NO.: XNT-DC-511		APPROVED: JEFF		DATE: 2018/08/25	
X, Y, Z ± 0.25		SCALE: 1:1		DWG. NO.: C.D		REV.: A	
X, Y, Z ± 0.10		DRAWING NO.: 1		DATE: 2018/08/25		PROJECT: 1 of 1	
ANGLE ± 1°		DATE: 2018/08/25		PROJECT: 1 of 1			

REVISION NO.	REP. NO.	DESCRIPTION	MARK	DATE
1				