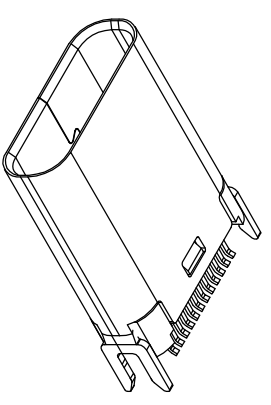


REV.	ECN. NO.	NAME	DATE
X1	NEW	LXH	2015/06/10
X2	修改鱼叉结构	LXH	2015/09/15



NOTES:
 1. MATERIAL:
 MOLDING: LCP UL94 V-0
 CONTACT: COPPER ALLOY.
 GOLD PLATING ALL OVER 50u" Min NICKEL
 AND 100u" Min Tin ALL OVER 50u" Min NICKEL
 ON SOLDER AREA

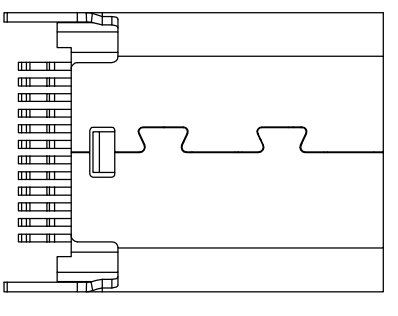
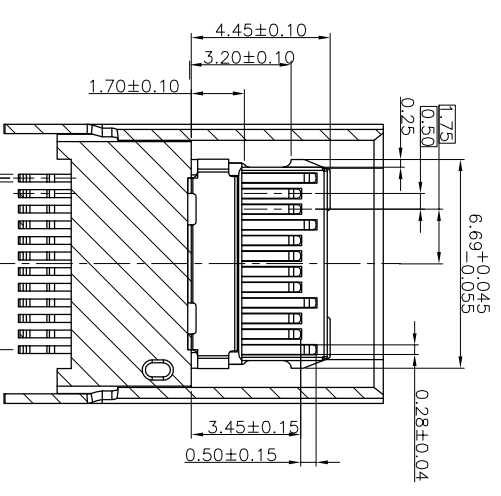
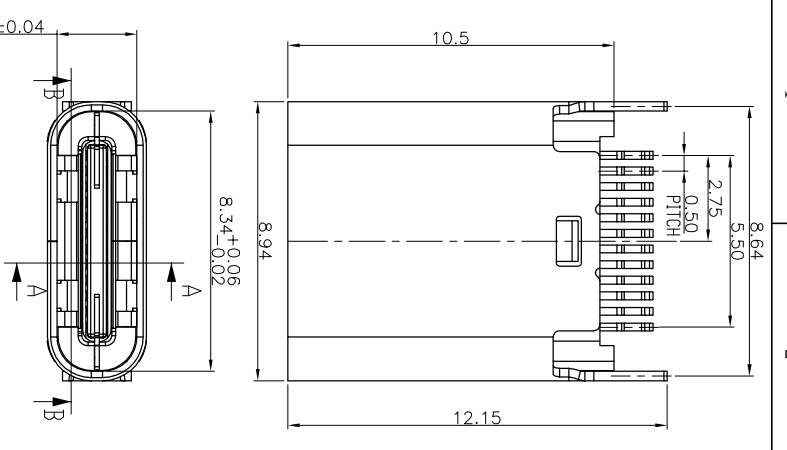
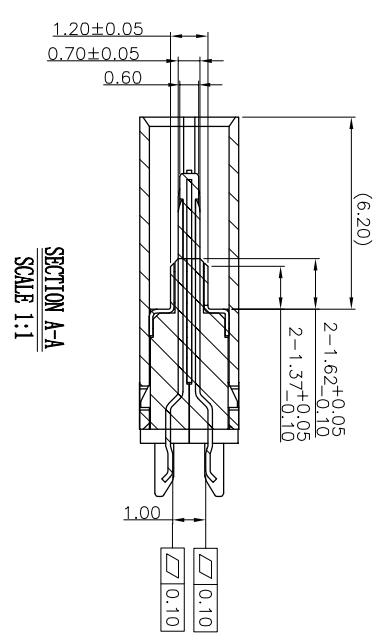
SHELL: SUS304-H,T=0.30±0.03mm
 50u" NICKEL PLATING OVER ALL.
 SHILD:SUS304-H,T=0.12±0.03mm

2. MECHANICAL:
 INSERTION: 5~20N.
 EXTRACTION: 8~20N.
 DURABILITY: 10000 CYCLES

3. ELECTRICAL:
 CURRENT: 5A MIN FOR VBUS;
 0.25A MIN FOR OTHER.
 VOLTAGE: 5VAC MAX
 WITHSTANDING VOLTAGE: 100V AC.
 CONTACT RESISTANCE: 40mΩ MAX.
 INSULATION RESISTANCE: 100MΩ MIN.

4. ENVIRONMENTAL
 TEMPERATURE RANGE -55°C ~ +85°C

RoHS Compliant



TOLERANCE UNSPECIFIED	±0.50
	±0.38
	±0.25
ANGLE	±3.00°
MANUFACTURING: COPY	



深圳市鑫南天科技有限公司

TITLE: USB 3.1 C TYPE FEMALE SPLINT 1.00 MM CONNECTOR

DRAWN BY:	SIZE: A4	UNIT: mm.	PART NO. XNT-FUCR-245X-02-XX
CHECKED BY:	SCALE: 1:1	PROJECTION	REV.: X2
APPROVED BY:	DWG. PATH		SHEET: 1/3