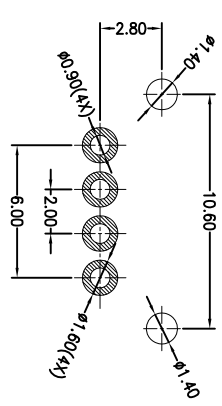
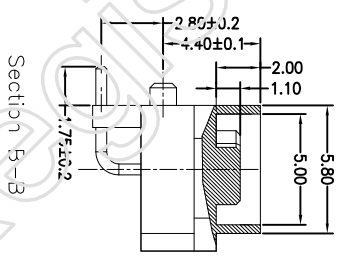
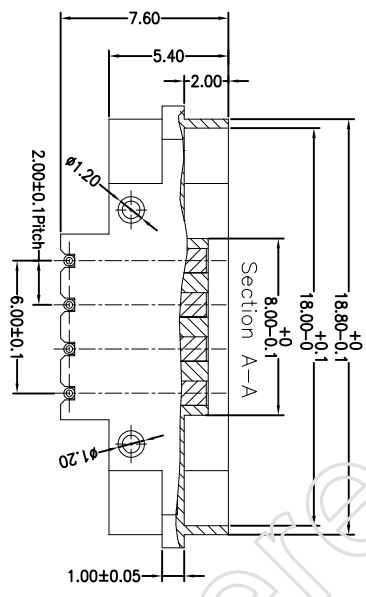
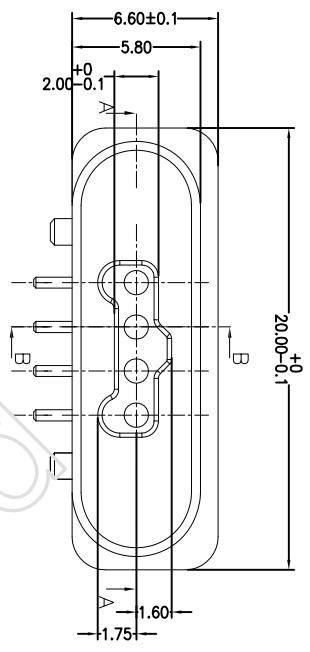
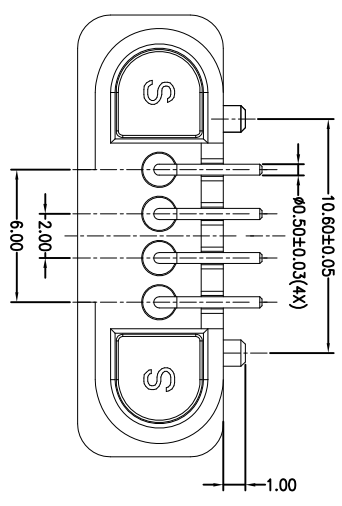


* 所有原材料, 生产制程, 电镀必须符合ROHS要求

- Notes:
- 1 Electrical performance
 <1.1>Current rating: 2.0A
 <1.2>Voltage rating: 36VAC/DC
 <1.3>Contact Resistance: 30mOhm Max
 <1.4>Insulation Resistance: 100MOhm minimum
 - 2 Environmental performance
 <2.1>Salt Spray: 48h Min
 <2.2>Operating Temperature range: -40°C~+80°C
 - 3 Packaging: **Bag packaging**



RECOMMEND PCB LAYOUT
 Layout Tolerance: ± 0.05mm



Item	Part Name	Qty	Material	Finish
3	Winglet	2	NiFeB N52	Ni plating
2	Solid Pin	4	Ledded Brass	Au plating 4u"min Ni plating 22.4u"min
1	Housing	1	High temp.Plastic; UL94 V-0 Color White	-----

深圳市鑫南天科技有限公司

DIMENSIONS INT: mm		DRAWINGS: DATE: 2018/01/03	
UNLESS OTHERWISE SPECIFIABLE		CHECK: zhekaIQ	
DIMENSION	TOLERANCE	PRODUCT NAME: 2.0Pitch 4Pin Pogo PIN H6.6 焊座 B款	DATE: 2018/01/03
X.X: ±	0.15	PRODUCT NO.: XNT-PW84-0464HB-B	
X.XX: ±	0.10	DRAWING NO.: D-PW84-0464HB-B	APPROVED: openQ
X.XXX: ±	0.05		DATE: 2018/01/03
ANGULAR: ±	1°		SCALE: DWG ID: REV.: A PAGE: 10F1

REVISION NO.	ECR NO.	DESCRIPTION	MARK	DATE
A		新发行		2018/01/03
1				