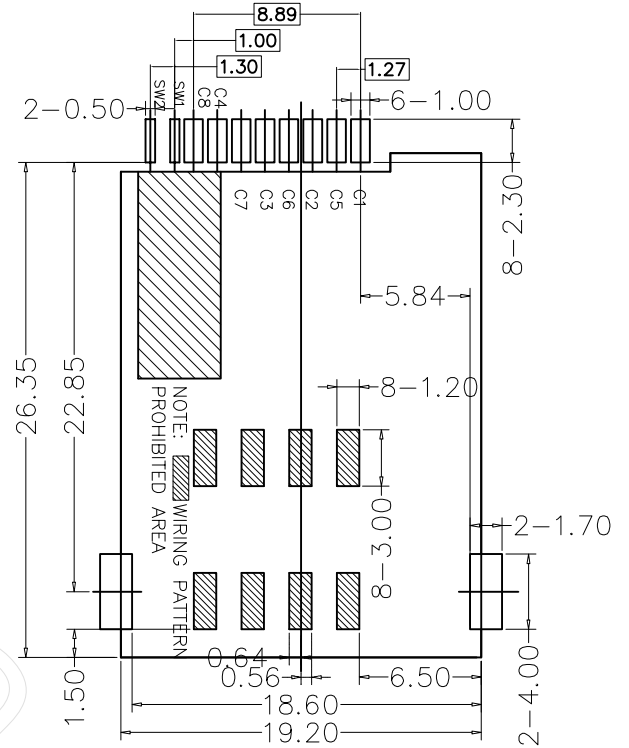
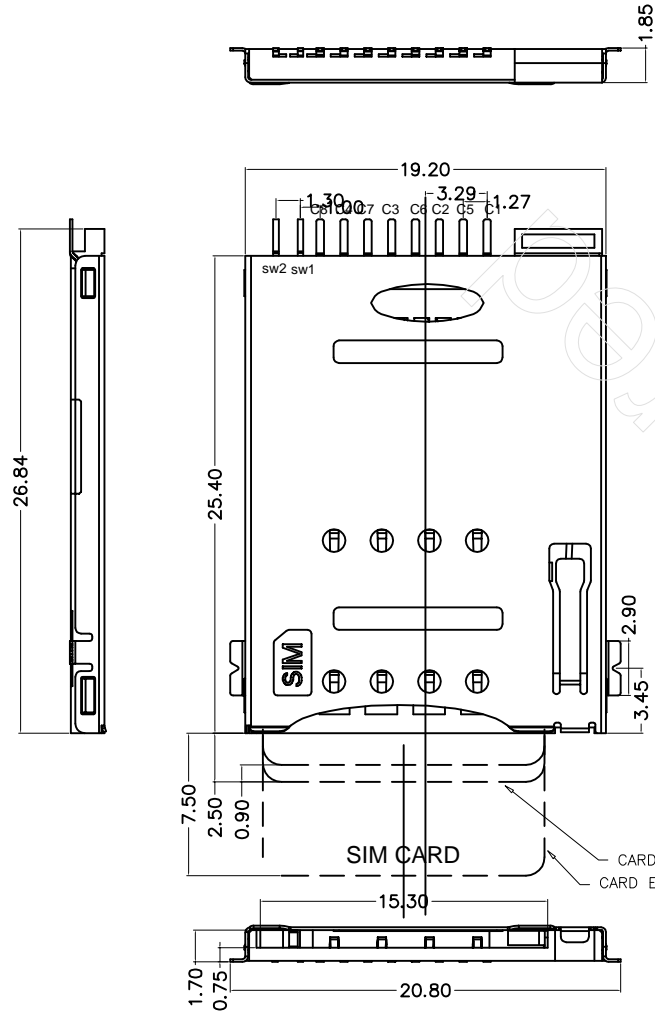


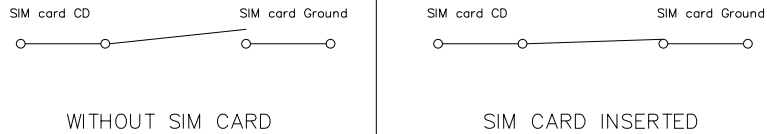
* 所有原料材质, 生产制程, 电镀必须符合ROHS要求

- SPECIFICATIONS**
 INSULATION RESISTANCE: 500M min. AT DC 500V DC
 WITHSTANDING VOLTAGE: 250V AC rms FOR 1 MINUTE
 CONTACT RESISTANCE: 100M max. AT 10MA/20mV max
 CURRENT RATING: 0.5A
 VOLTAGE RATING: 5.0 vrms
 OPERATING TEMP. RANGE: -55 C+85 C
 MATING CYCLES: 5000 INSERTIONS
- MATERIAL:**
 INSULATOR: H-TEMPERATURE PLASTIC, UL 94V-0,
 COLOR: BLACK
 TERMINAL: COPPER ALLOY, T=0.15mm
 SHELL: STAINLESS STEEL, T=0.15mm
- FINISH:**
 TERMINAL: 50u" min NICKEL UNDERPLATED ON ALLOVER, GOLD PLATING
 ON CONTACT AREA, 80u" min TIN ON SOLDER TAIL.
 SHELL: 50u" NICKEL UNDERPLATED ON ALLOVER, GOLD FLASH ON SOLDER
 LATCH



RECOMMENDED PCB LAYOUT

CIRCUIT:



SIM pin assignment	
PIN#	Name
C1	VCC
C2	RST
C3	CLK
C4	Reserved
C5	GND
C6	VPP
C7	I/O
C8	Reserved



深圳市鑫南天科技有限公司

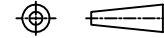
Shen zhen Shi Xin Nan Tian Industrial Co., Ltd

DIMENSIONS INIT: mm
 UNLESS OTHERWISE SPECIFIABLE
 DIMENSION TOLERANCE
 X.X: ± 0.25
 X.XX: ± 0.10
 X.XXX: ± 0.05
 ANGULAR: ± 1°

PRODUCT NAME : SIM PUSH 8P+2 SMT

PRODUCT NO. : 0081DAAS10A

DRAWING NO. : XNT-004



DRAWING: COCO

CHECK: JANY

APPROVED: JEFF

SCALE: 1:1

DATE: 2012/5/10

DATE: 2012/5/10

DATE: 2012/5/10

REV.: A
 PAGE: 1 of 1

REVISION NO.	ECR NO.	DESCRIPTION	MARK	DATE
1				
2				