

\* 所有原材料, 生产制程, 电镀必须符合ROHS要求

Specification

MATERIAL:

Insulator: High Temperature Thermoplastic,  
UL 94V-0.

Contact: Copper Alloy

PLATING:

Contact: Plated 50u'' Ni Overall

Plated Au Selective Contact Area

Plated 100u'' Sn Over Ni On Solder Area

Shell: Plated 50u'' Ni Overall

Plated 1u''Au Selective Contact Area

Electrical:

Current Rating :0.5mA AC/DC max.

Voltage Rating :125V AC/DC

Ambient Temperature Range :-20° C~+60° C

Storage Temperature Range :-40° C~+70° C

Ambient Humidity Range :95% R.H. Max.

Contact Resistance:100m Ω max.

Insulation Resistance:1000M min./500VDC

Mating Cycles:10,000 Insertions

产品耐温温度: 260° C  $\frac{C}{-5^{\circ}C} \leq \frac{C}{S \leq 170^{\circ}C} \leq \frac{C}{S \leq 170^{\circ}C} \leq \frac{C}{-5^{\circ}C}$

PART NUMBER:

010 1 X A A X 09 A

G:功能區鍍金1u'', 錫腳Gold Flash (符合ROHS製程)

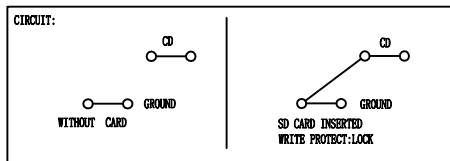
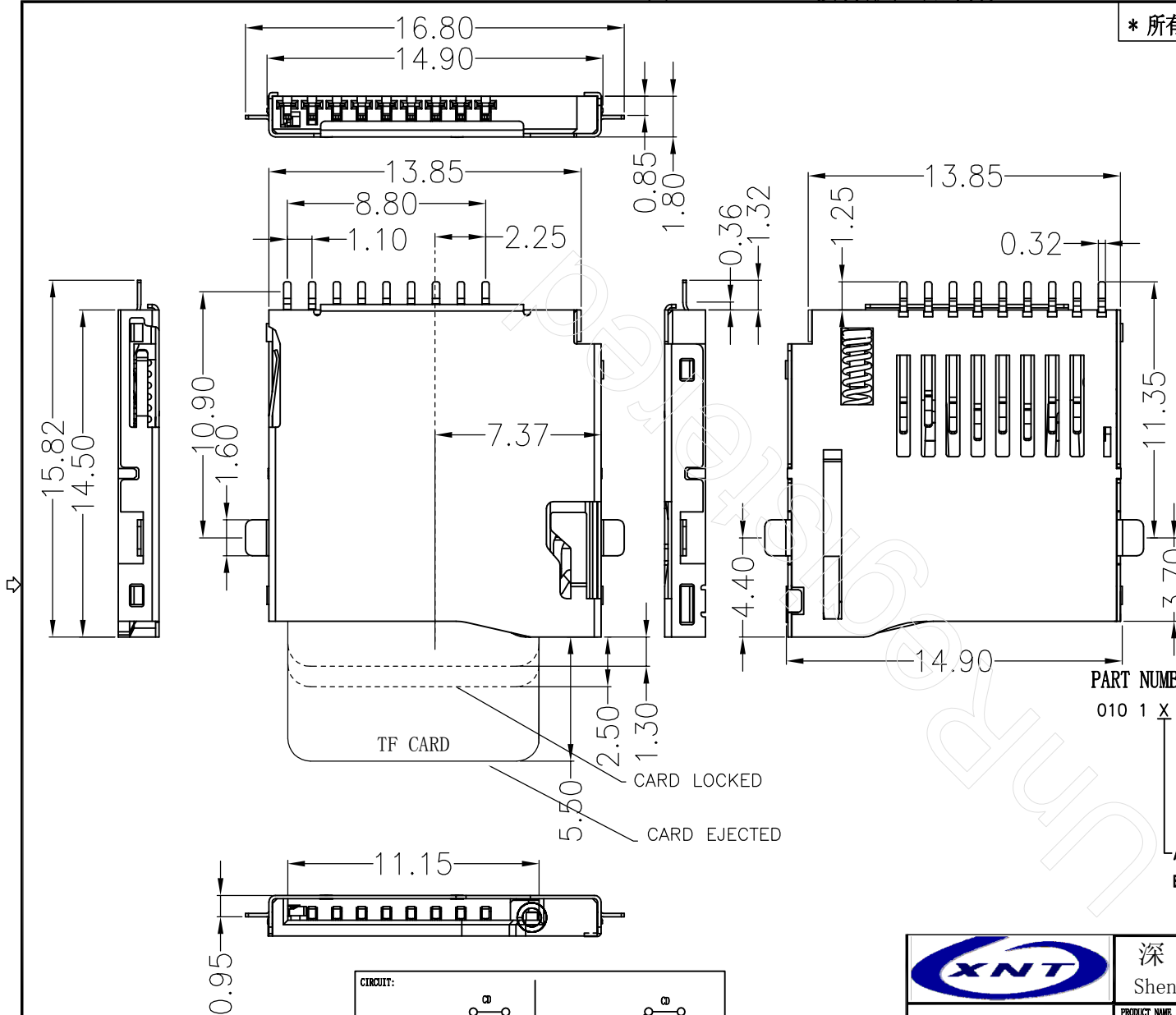
H:功能區鍍金3u'', 錫腳Gold Flash (符合ROHS製程)

J:功能區鍍金5u'', 錫腳Gold Flash (符合ROHS製程)

S:功能區域鍍金1u'' 焊接腳純霧錫100u'' (符合ROHS製程)

A:外壳表面无压片, 沉板式

B:外壳表面无压片, 沉板式全包



深圳市鑫南天科技有限公司  
Shen zhen Shi Xin Nan Tian Industrial Co., Ltd

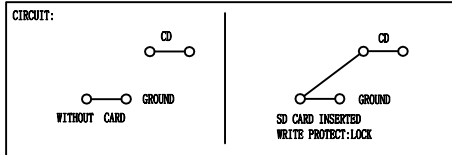
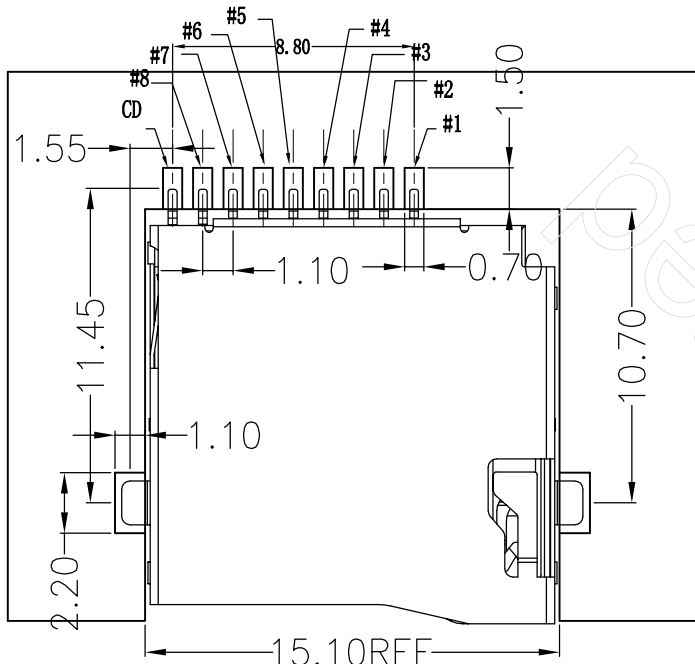
DIMENSIONS INIT: mm UNLESS OTHERWISE SPECIFIABLE DIMENSION TOLERANCE X.X: ± 0.15 X.XX: ± 0.10 X.XXX: ± 0.05 ANGULAR: ± 1°	PRODUCT NAME : T-FLASH 卡座PUSH/PUSH沉板式	DRAWING: COCO	DATE: 2008/04/10	
	PRODUCT NO. : 0101BAAX09A	CHECK: JANY	DATE: 2009/04/11	
	DRAWING NO. : NT-0016	APPROVED: JEFF	DATE: 2009/04/11	
		SCALE: 1:1	DWG ID: C_D	REV. : A

REVISION NO.	ECR NO.	DESCRIPTION	MARK	DATE
1				
2				

\* 所有原材料, 生产制程, 电镀必须符合ROHS要求

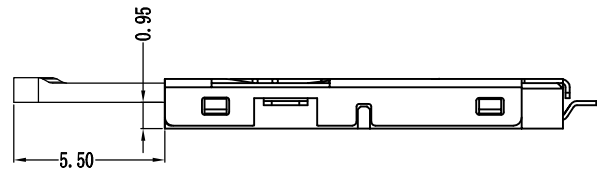
RECOMMEND PCB LAYOUT:

(Unit:mm .X ± 0.15 .XX ± 0.05 .XXX ± 0.02)

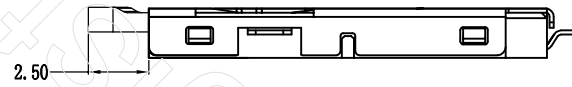


PIN NO.	PIN ASSIGNMENT
1#	DAT2 信号
2#	CD/DAT3 信号
3#	CMD 数据输入
4#	VDD 电压/电源
5#	CLK 时钟
6#	VSS 接地
7#	DAT0 信号
8#	DAT1 信号
CD	CD 侦测端

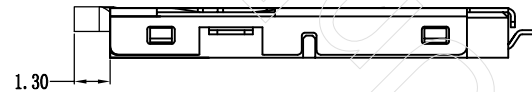
T-FLASH Card Insert Drawing:



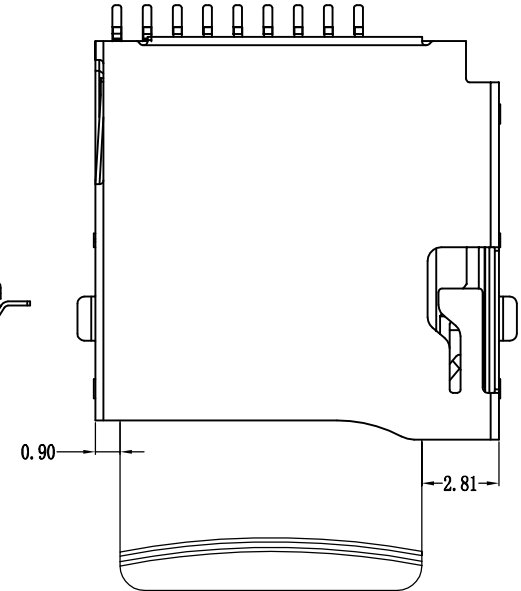
Micro SD Card -Un Lock



Micro SD Card -Lock



Micro SD Card -Push



REVISION NO.	ECR NO.	DESCRIPTION	MARK	DATE
1				
2				

	深圳市鑫南天科技有限公司 Shen zhen Shi Xin Nan Tian Industrial Co., Ltd			
	DIMENSIONS INIT: mm UNLESS OTHERWISE SPECIFIABLE DIMENSION TOLERANCE X.X: ± 0.15 X.XX: ± 0.10 X.XXX: ± 0.05 ANGULAR: ± 1°	PRODUCT NAME : T-FLASH 卡座PUSH/PUSH沉板式	DRAWING: COCO	DATE: 2008/04/10
		PRODUCT NO. : 0101BAAAX09A	CHECK: JANY	DATE: 2009/04/11
		DRAWING NO. : NT-0016	APPROVED: JEFF	DATE: 2009/04/11
		SCALE: 1:1	DWG ID: C D	REV. : A
				PAGE: 2 of 2