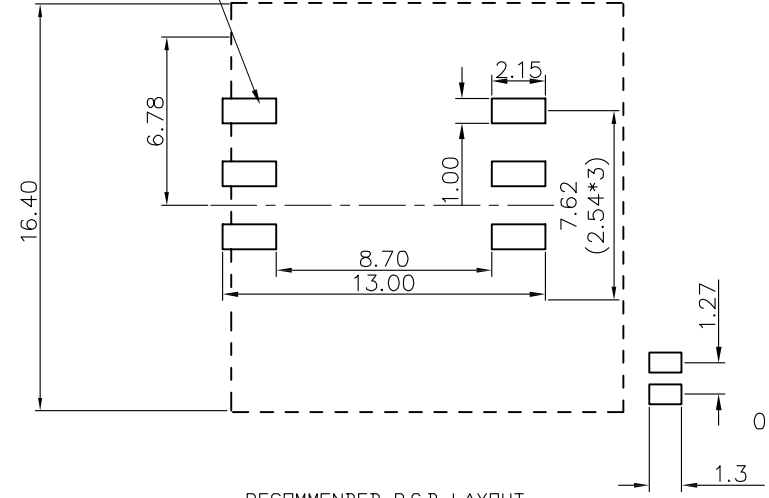
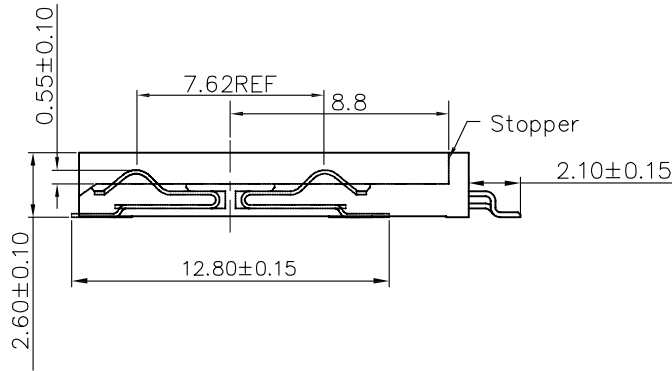


CONTACT FOOT AREA



RECOMMENDED P.C.B LAYOUT
TOLERANCE:±0.05



Notes:

Material: Phosphor Bronze

Housing: LCP UL 94V-0

Contact: Selective Gold Flash

Specifications:

Voltage Current rating: 1A. 50V AC

Insulation Resistance: 1000Mohm Min

Contact Withstanding Voltage:

AC 500V For 1 Minute

Temperteure Rating: -40° To +85°

REVISION NO.	ECR NO.	DESCRIPTION	MARK	DATE
1				
2				
3				

	深圳市鑫南天科技有限公司 Shenzhen XinNanTian Technology Co., Ltd			
	PRODUCT NAME :	sim push pull 6pin with CD pin	DRAWING:	COCO
	PRODUCT NO. :	XNT-S1M6P-017	CHECK:	JANY
	DRAWING NO. :	XNT-S1M6P-017	APPROVED:	JEFF
DIMENSIONS UNIT: mm UNLESS OTHERWISE SPECIFIABLE DIMENSION TOLERANCE X.X: ± 0.38 X.XX: ± 0.25 X.XXX: ± 0.10 ANGULAR: ± 1°	SCALE:	DWG ID:	REV.:	PAGE:
	1:1	C D	A	1 OF 1