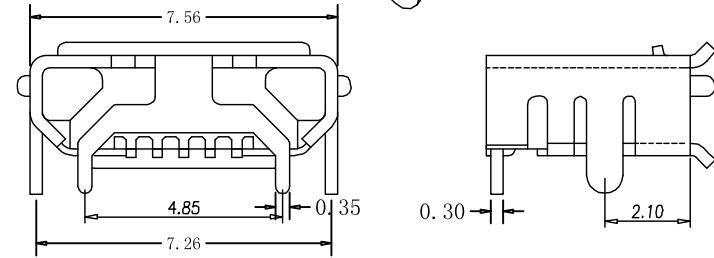
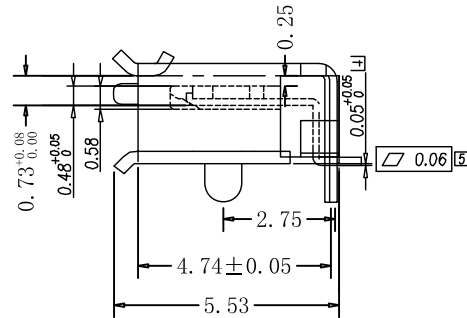
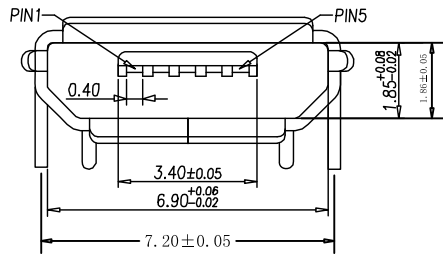
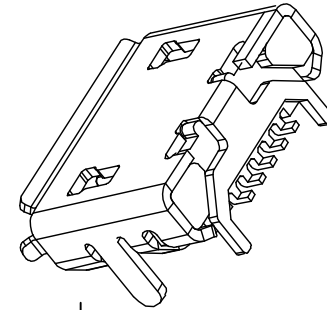
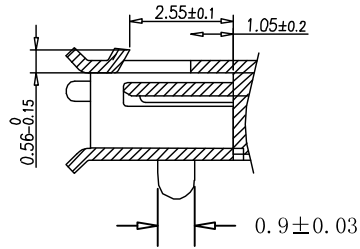
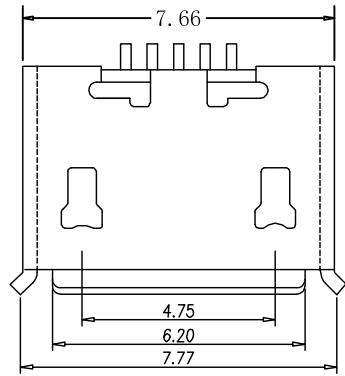
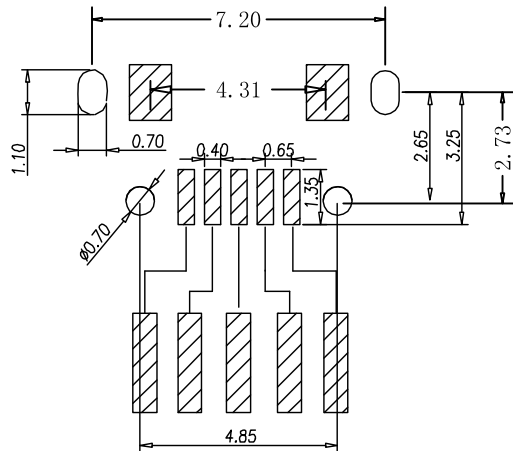
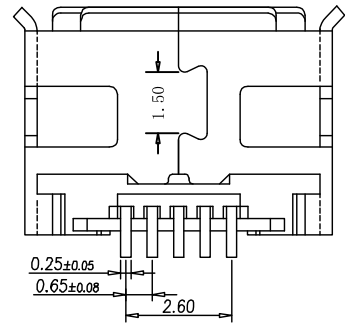


REV.	ECN NO.	DESCRIPTION	DRWN	APPD.	DATE



- NOTES:
MATERIAL:
1.1 HOUSING: HIGH TEMPERATURE THERMOPLASTIC WITH G. F, UL94v-0
1.2 CONTACT: COPPER ALLY T=0.20mm
1.3 SHELL: COPPER ALLO, T=0.25mm
2. SPECIFICATION:
2.1 CURRENT RATING: 1 A MAX
2.2 DIELECTRIC WITHSTANDING
VOLTAGE: 100 V(ac) FOR 1min
2.3 CONTACT RESISTANCE: 30 mΩ MAX.
2.4 INSULATION RESISTANCE: 100 MΩ MIN.
2.5 TOTAL MATING FORCE: 3.57 Kgf MAX.
2.6 TOTAL UNMATING FORCE: 1.0Kgf
MIN. 0.81~2.05 Kgf
MIN. AFTER 10000 INSERTION/EXTRACTION
CYCLES
2.7 TEMPERATURE RANGE: -30°C~+80°C



UNITS mm	SCALE 1:1	REV. X1	SHEET 1 OF 1	深圳市鑫南天科技有限公司	
		DATE 2011-12-08	TITLE: MIRCO USB 5P B TYPE 四脚全插(牛角型)		
GENERAL TOLERANCE		DR. Taoaijun	MAT'L SEE NOTES		FINISH SEE NOTES
0. ±0.30		CHK.	DWG. NO. MicroUSB-009		PART NO. KM0006 U5P-720-S06
0.0 ±0.20		APPD.	A		SIZE A1
0.00 ±0.10					
0.° ±4°					
0.0° ±2°					

1

2

3

4

5

6