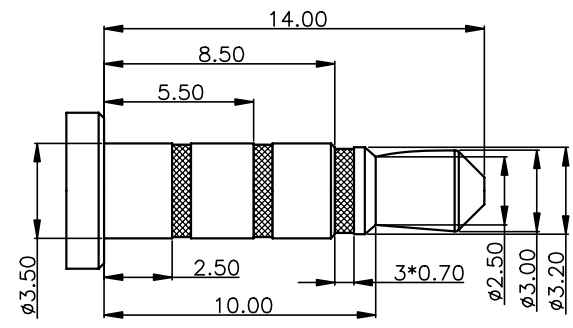
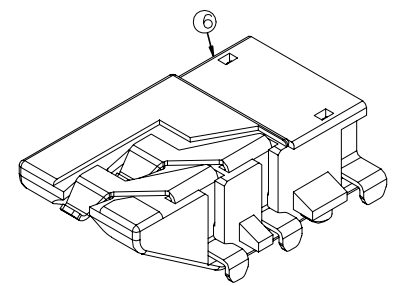
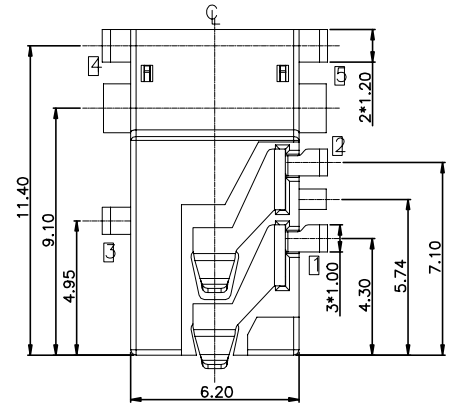
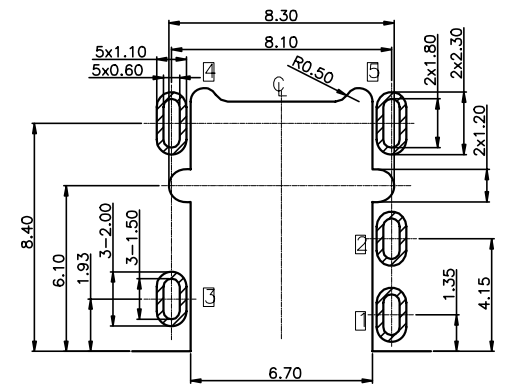


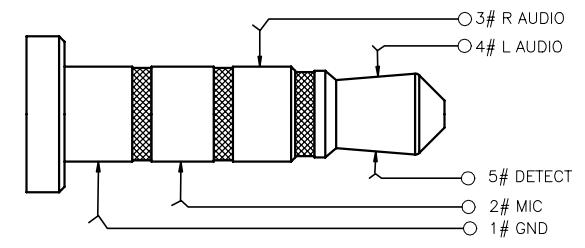
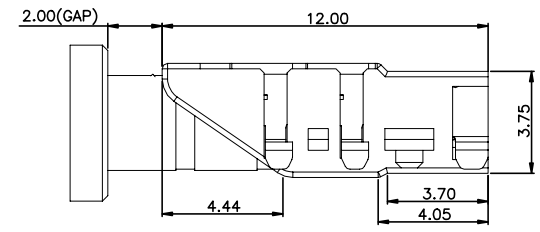
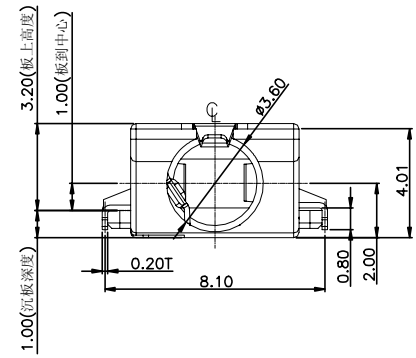
REV.	ECN NO	LOCATIONS	DESCRIPTION	DATE



ø3.50 mm 4 POLE PLUG



P.C.B LAYOUT TOP VIEW



SCHEMATIC

ITEM NO	DESCRIPTION	MATERIAL	COLOR	FINISH
6	HOUSING	HIGH TEMP	BLACK	UL 94V-0
5	TERMINAL 5	COPPER ALLOY		Au PLATED
4	TERMINAL 4	COPPER ALLOY		Au PLATED
3	TERMINAL 3	COPPER ALLOY		Au PLATED
2	TERMINAL 2	COPPER ALLOY		Au PLATED
1	TERMINAL 1	COPPER ALLOY		Au PLATED

主要技术性能	
额定电压	DC 30V/0.5A
接触电阻	≤0.03Ω
绝缘电阻	≥100MΩ
耐压	AC500V(50Hz)/min
插拔力	3-20N
使用温度范	-30~70℃
寿命	5000次

PART NO:		MATERIAL: SEE NOTE	
MODEL NO: XX		FINSH: SEE NOTE	
UNIT: MM	SIZE: A4	COLOR: SEE NOTE	
TOLERANCE UNSPECIFIED			
.x	±0.15	DR: ??????	
.xx	±0.10	CHK:	
.xxx	±0.05	APP:	
Ang.	±1°		

深圳市鑫南天科技有限公司

TITLE: PJK-3243

DWG NO: A016      REV: A

SCALE: 5:1      DATE: 2014.03.10