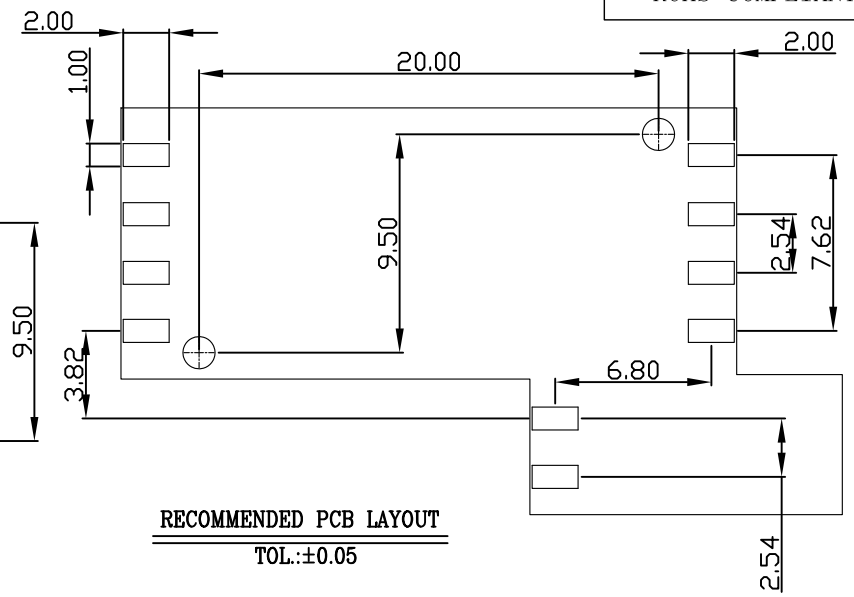
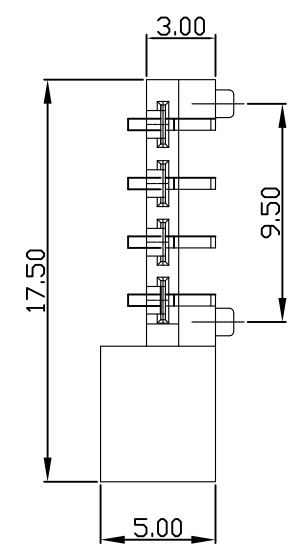
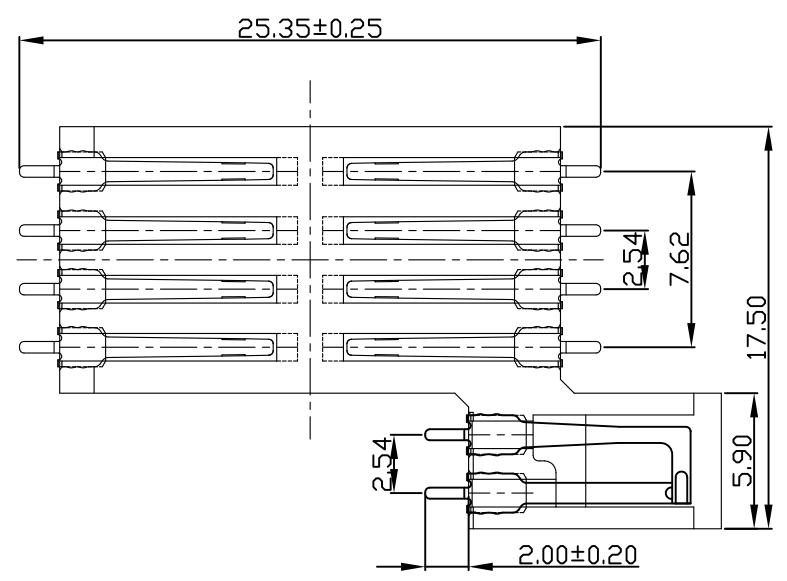


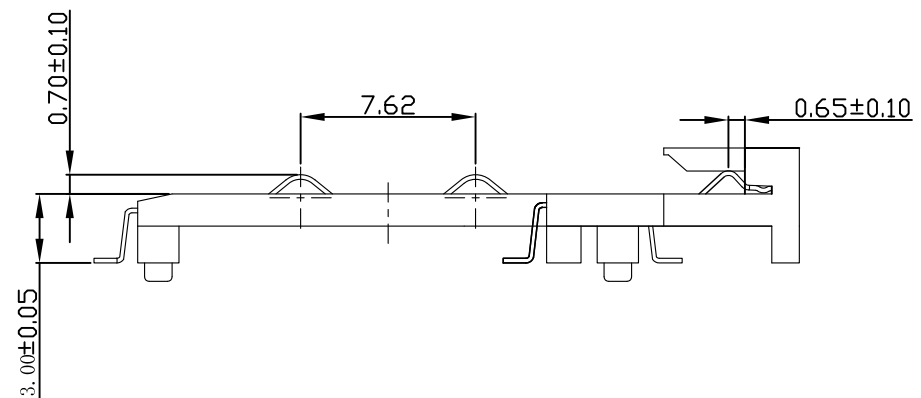
* ROHS COMPLIANT



RECOMMENDED PCB LAYOUT
TOL.:±0.05

Notes:
Material: Terminal: Copper alloy
Housing: Lcp UL 94V-0 Black

FINISH : Selective 3U" Au on contact area
Specifications:
Voltage Current Rating: 1A. 50V AC
Insulation Resistance: 1000Mohm Min
Contact Withstanding Voltage:
AC 500V For 1 Minute
Temperteure Rating: -40° To +85°
Durability: 100000 Cycles Min
IR Re-Flow:260°C 5Sec Max



REVISION NO.	ECR NO.	DESCRIPTION	MARK	DATE
1				
2				
3				

	深圳市鑫南天科技有限公司 Shenzhen XinNanTian Technology Co., Ltd				
	DIMENSIONS INIT: mm UNLESS OTHERWISE SPECIFIABLE	PRODUCT NAME : mini Smart card connector	DRAWING: COCO	DATE: 2014/01/15	
	DIMENSION TOLERANCE X.X: ± 0.38 X.XX: ± 0.25 X.XXX: ± 0.10 ANGULAR: ± 1°	PRODUCT NO. : XNT-MSC-801-08300	CHECK: AG	DATE: 2014/01/15	
		DRAWING NO. : XNT-HS-026	APPROVED: JEFF	DATE: 2014/01/15	
		SCALE: NA	DWG ID: P D	REV.: A	PAGE: 1 OF 1

A
B
C
D
E
F