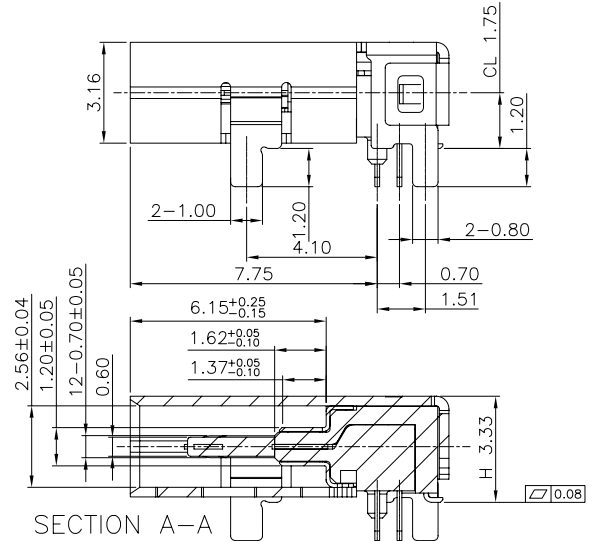
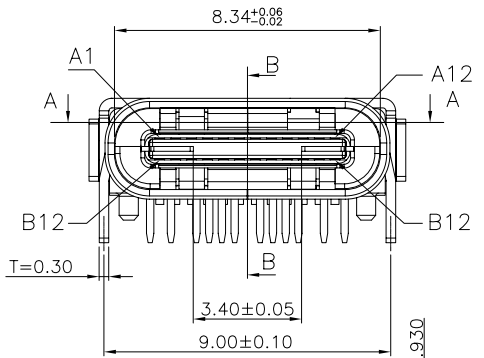
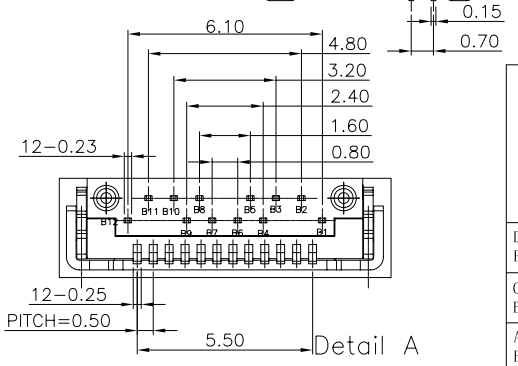
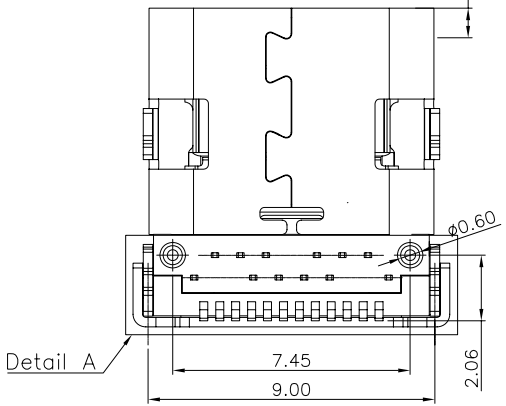


SECTION B-B



SECTION A-A




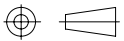
Detail A

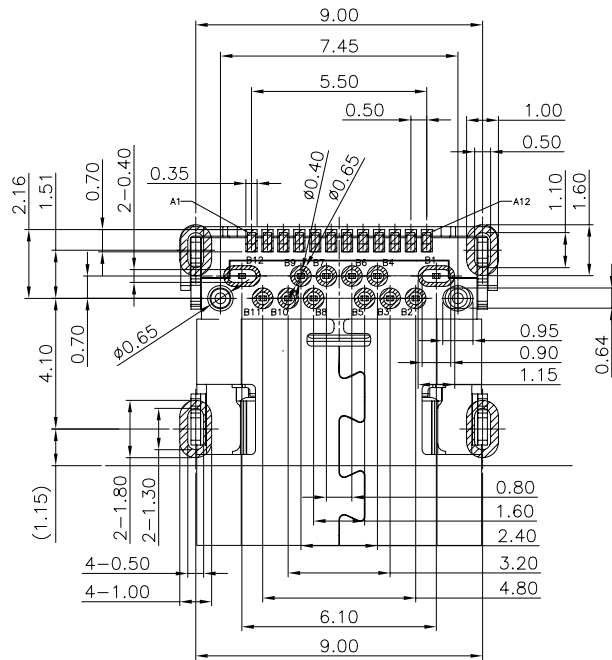
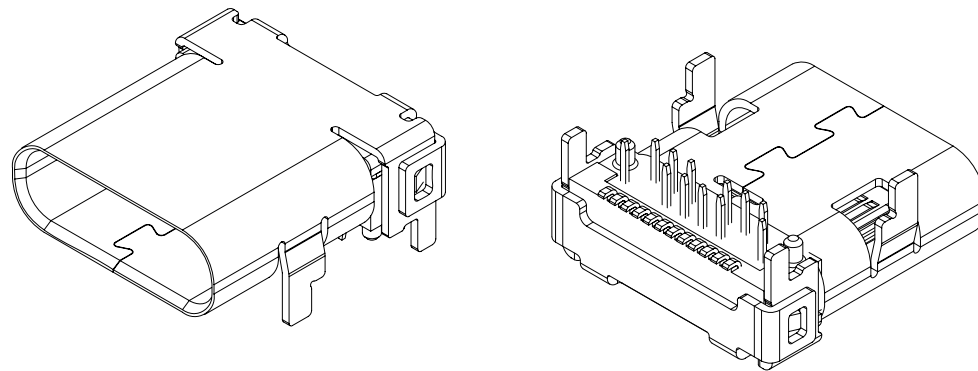
NOTES: 1.MATERIAL:  
 MOLDING: LCP UL94 V-0  
 CONTACT: COPPER ALLOY.  
 GOLD PLATED 30u" Min ON CONTACT AREA, 100u" Min TIN (LEAD FREE) ON SOLDER AREA,  
 SHELL: SUS304-H, T=0.30±0.03mm  
 50u" NICKEL PLATING OVER ALL.  
 SHILD: SUS304-H, T=0.12±0.03mm  
 2.MECHANICAL:  
 INSERTION: 5~20N.  
 EXTRACTION: 8~20N.  
 DURABILITY: 10000 CYCLES  
 3.ELECTRICAL:  
 CURRENT: 5A MIN FOR VBUS;  
 0.25A MIN FOR OTHER.  
 VOLTAGE: 5VAC MAX  
 WITHSTANDING VOLTAGE: 100V AC.  
 CONTACT RESISTANCE: 40mΩ MAX.  
 INSULATION RESISTANCE: 100MΩ MIN.  
 4.ENVIRONMENTAL  
 TEMPERATURE RANGE -55°C ~ +85°C

REV.	ECN. NO.	NAME	DATE
XA	NEW	CLY	2015/07/10

FUC - R - 24 8 X - 10 - X - X 包装:  
 T: TARY(端子)  
 U:TUBE(管)  
 R:TAPE&REEL(卷)  
 胶芯颜色:  
 B: BLCK  
 N: NATURE  
 Series No.  
 K: GOLD FLASH PLATING ON CONTACT AREA  
 Matte Tin PLATING ON SOLDER AREA  
 M: 5u" GOLD PLATING ON CONTACT AREA  
 Matte Tin PLATING ON SOLDER AREA  
 P: 15u" GOLD PLATING ON CONTACT AREA  
 Matte Tin PLATING ON SOLDER AREA  
 U: 30u" GOLD PLATING ON CONTACT AREA  
 Matte Tin PLATING ON SOLDER AREA

RoHS Compliant

TOLERANCE UNSPECIFIED		 <b>深圳市鑫南天科技有限公司</b>		
.0	±0.50			TITLE: USB 3.1 C TYPE FEMALE TOP CONNECTOR
.0	±0.38	SIZE: A4	UNIT: mm.	PART NO. XNT-FUCR-248X-10XX
.00	±0.25	CHECKED BY:	SCALE: 1:1	PROJECTION  REV.: XA
.000	±0.10	APPROVED BY:	DWG. PATH	SHEET: 1/4
ANGLE	±3.00°	MANUFACTURING COPY		



RECOMMEND P.C.B LAYOUT (COMPONENT SIDE)  
 TOLERANCE FOR PCB LAYOUT IS  $\pm 0.05$   
 KEEP OUT AREA

USB TYPE-C FULL-FEATURED RECEPTACLE INTERFACE PIN ASSIGNMENTS

PIN	Signal Name	Description	PIN	Signal Name	Description
A1	GND	Ground return	B12	GND	Ground return
A2	SSTXp1	Positive half of first SuperSpeed TX differential pair	B11	SSTXp1	Positive half of first SuperSpeed TX differential pair
A3	SSTXn1	Negative half of first SuperSpeed TX differential pair	B10	SSTXn1	Negative half of first SuperSpeed TX differential pair
A4	VBUS	Bus Power	B9	VBUS	Bus Power
A5	CC1	Configuration Channel	B8	CC1	Configuration Channel
A6	Dp1	Positive half of the USB 2.0 differential pair-Position 1	B7	Dp1	Positive half of the USB 2.0 differential pair-Position 1
A7	Dn1	Negative half of the USB 2.0 differential pair-Position 1	B6	Dn1	Negative half of the USB 2.0 differential pair-Position 1
A8	RFU1	Reserved for Future Use (RFU)	B5	RFU1	Reserved for Future Use (RFU)
A9	VBUS	Bus Power	B4	VBUS	Bus Power
A10	SSRXn2	Negative half of second SuperSpeed RX differential pair	B3	SSRXn2	Negative half of second SuperSpeed RX differential pair
A11	SSRXp2	Positive half of second SuperSpeed RX differential pair	B2	SSRXp2	Positive half of second SuperSpeed RX differential pair
A12	GND	Ground return	B1	GND	Ground return

RoHS Compliant

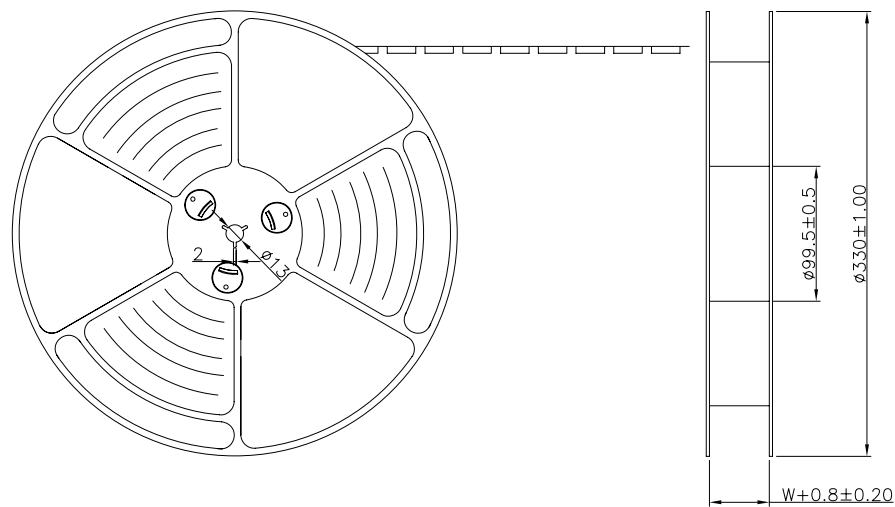


深圳市鑫南天科技有限公司

TITLE: USB 3.1 C TYPE FEMALE TOP CONNECTOR

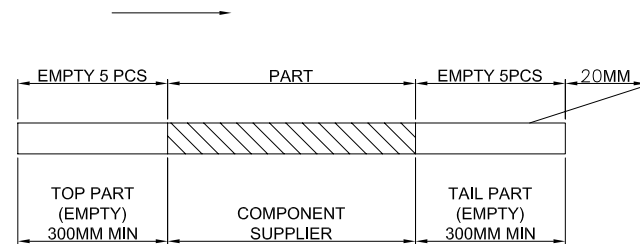
TOLERANCE UNSPECIFIED . $\pm 0.50$ .0 $\pm 0.38$ .00 $\pm 0.25$ .000 $\pm 0.10$ ANGLE $\pm 3.00^\circ$ MANUFACTURING COPY	DRAWN BY: CHECKED BY: APPROVED BY:	SIZE: A4    UNIT: mm.    PART NO. XNT-FUCR-248X-10XX	SCALE: 1:1    PROJECTION     REV.: XA	DWG . PATH    SHEET: 2/4
---------------------------------------------------------------------------------------------------------------------------------------------	------------------------------------------	------------------------------------------------------	---------------------------------------	--------------------------

出料方向  
PULL OUT DIRECTEON

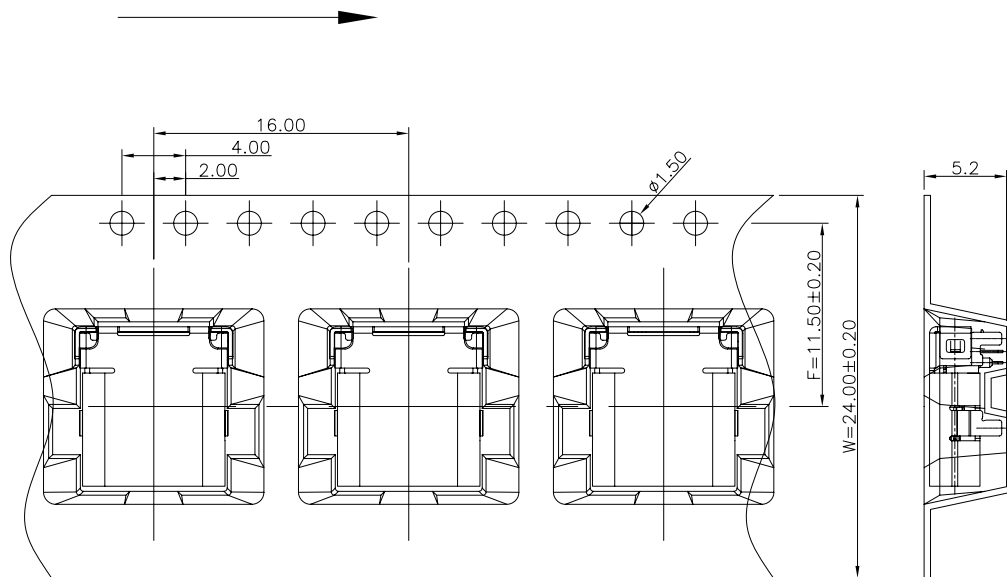
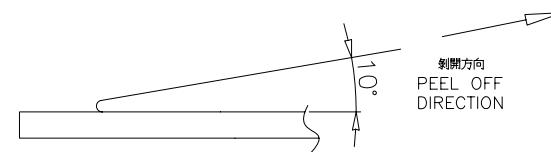


NOTES


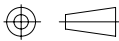
1.帶子引導長度  
LEAD TAPE LENGTH  
出料方向  
PULL OUT DIRECTEON

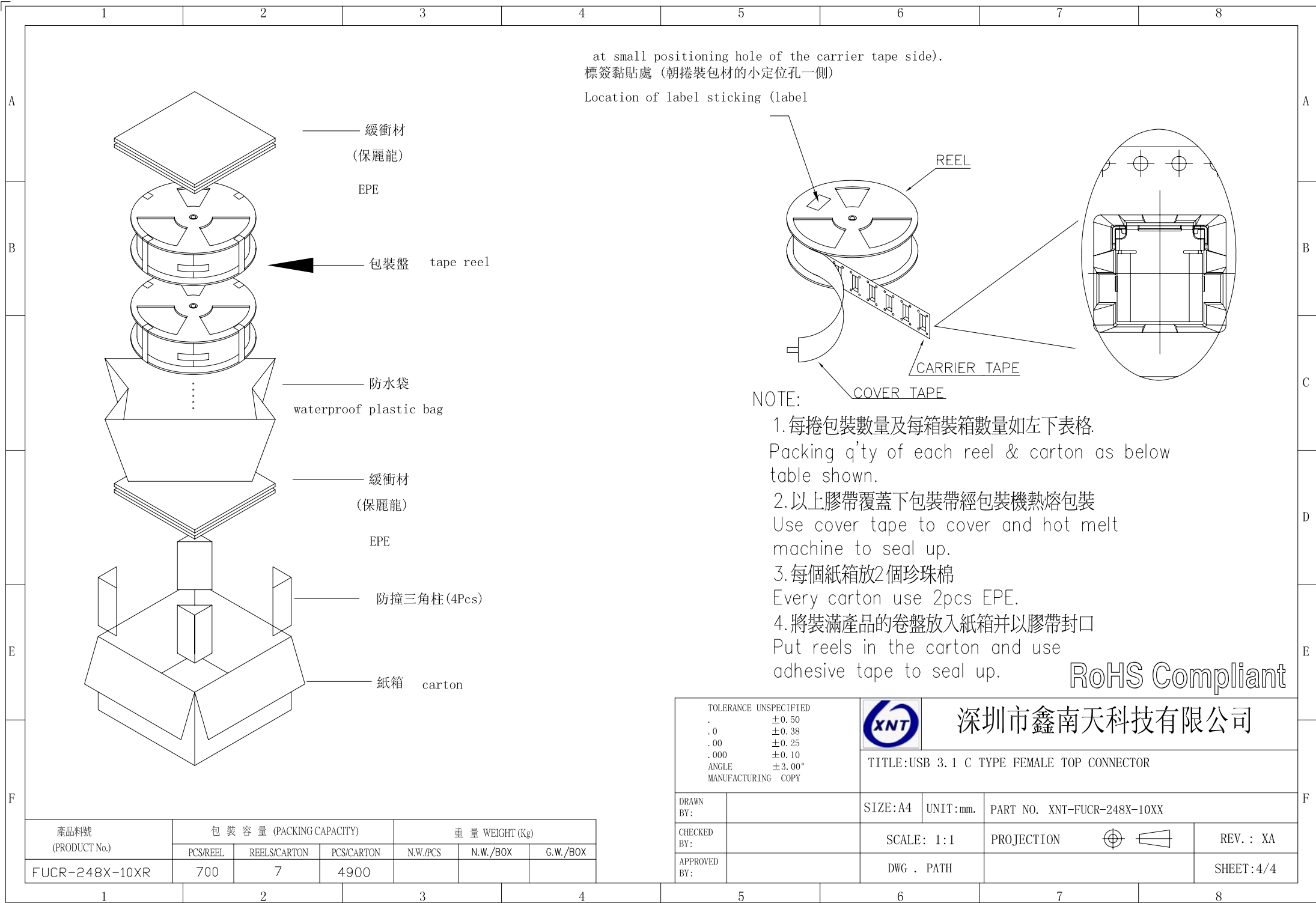


2.上帶 剝力力為：0.1~1.3N(10.2gf~130gf)  
PEELING OFF FORCE OF TOP TAPE:0.1~1.3N(10.2gf~130gf)  
出貨運輸過程中一定注意：  
THIS REQUIREMENT SHOULD BE APPLIED AT SHIPMENT：  
卷帶在運輸過程中不能散開  
PEELING OFF SHOULD NOT BE ALLOWED DURING TRANSPORTATION



RoHS Compliant


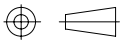
TOLERANCE UNSPECIFIED		 <b>深圳市鑫南天科技有限公司</b>		TITLE:USB 3.1 C TYPE FEMALE TOP CONNECTOR	
.	±0.50				
.0	±0.38				
.00	±0.25				
.000	±0.10				
ANGLE	±3.00°	SIZE:A4		UNIT:mm.	PART NO. XNT-FUCR-248X-10XX
MANUFACTURING COPY		DRAWN BY:		SCALE: 1:1	PROJECTION  REV.: XA
		APPROVED BY:		DWG . PATH	SHEET:3/4



at small positioning hole of the carrier tape side).  
 標籤黏貼處 (朝捲裝包材的小定位孔一側)  
 Location of label sticking (label)

NOTE:  
 1. 每捲包裝數量及每箱裝箱數量如左下表格。  
 Packing q'ty of each reel & carton as below table shown.  
 2. 以上膠帶覆蓋下包裝帶經包裝機熱熔包裝  
 Use cover tape to cover and hot melt machine to seal up.  
 3. 每個紙箱放2個珍珠棉  
 Every carton use 2pcs EPE.  
 4. 將裝滿產品的卷盤放入紙箱并以膠帶封口  
 Put reels in the carton and use adhesive tape to seal up.

RoHS Compliant

TOLERANCE UNSPECIFIED .           ±0.50 .0          ±0.38 .00         ±0.25 .000       ±0.10 ANGLE      ±3.00° MANUFACTURING COPY		 深圳市鑫南天科技有限公司	
		TITLE:USB 3.1 C TYPE FEMALE TOP CONNECTOR	
DRAWN BY:		SIZE:A4	UNIT:mm. PART NO. XNT-FUCR-248X-10XX
CHECKED BY:		SCALE: 1:1	PROJECTION  REV.: XA
APPROVED BY:		DWG . PATH	SHEET: 4/4

產品料號 (PRODUCT No.)	包裝容量 (PACKING CAPACITY)			重量 WEIGHT (Kg)		
	PCS/REEL	REELS/CARTON	PCS/CARTON	N.W./PCS	N.W./BOX	G.W./BOX
FUCR-248X-10XR	700	7	4900			