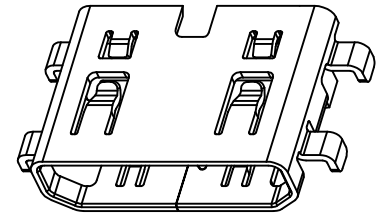
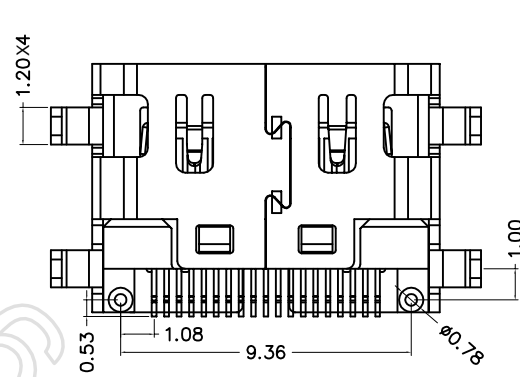
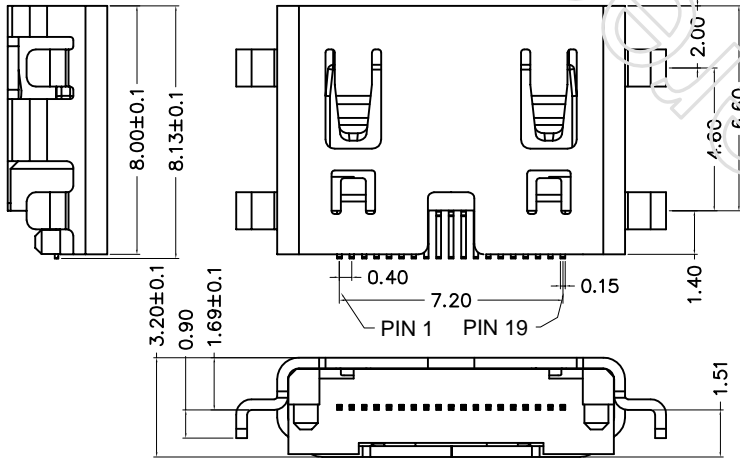
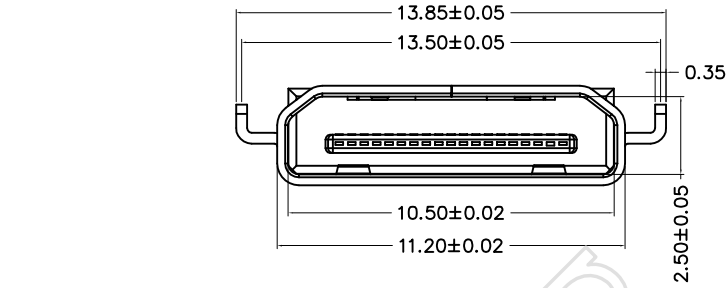


* 所有原料材质, 生产制程, 电镀必须符合ROHS要求

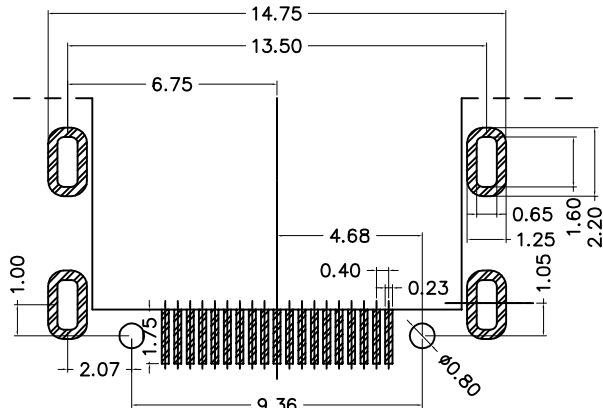


3D VIEW



- SPECIFICATION:
- 1.MATING FORCE:44.1N MAX
 - 2.UNMATING FORCE:7-25N
 - 3.DURABILITY: 5000 CYCLES MIN
 - 4.CURRENT:0.5A
 - 5.VOLTAGE:40V MAX
 - 6.WITHSTANDING VOLTAGE:500V AC MIN.(UNMATED)
 - 7.CONTACT RESISTANCE:30MΩ MAX.
 - 8.INSULATION RESISTANCE:100MΩ MIN.(UNMATED)
 - 9.OPERATING TEMPERATURE RANGE:-20.C TO +85.C
 - 10.ALL THE MATERIAL SHOULD COMPLY WITH THE ROHS REQUIREMENT.

| Type C pin | Signal Name |
|------------|------------------------------|
| 1 | TMDS Data2 _{Shield} |
| 2 | TMDS Data2 ₊ |
| 3 | TMDS Data2 ₋ |
| 4 | TMDS Data1 _{Shield} |
| 5 | TMDS Data1 ₊ |
| 6 | TMDS Data1 ₋ |
| 7 | TMDS Data0 _{Shield} |
| 8 | TMDS Data0 ₊ |
| 9 | TMDS Data0 ₋ |
| 10 | TMDS Clock _{Shield} |
| 11 | TMDS Clock ₊ |
| 12 | TMDS Clock ₋ |
| 13 | DDC/CEC _{Ground} |
| 14 | CEC |
| 15 | SCL |
| 16 | SDA |
| 17 | Utility |
| 18 | +5V Power |
| 19 | Hot Plug Detect |



MATERIAL:

Insulator: High Temperature Thermoplastic,
 Contact: Copper Alloy T=0.12
 SHELL: C2680 T=0.35

PLATING:

Contact:All Area Au:1u"
 shell:All Area Au Gold flash



深圳市鑫南天科技有限公司

Shen zhen Shi Xin Nan Tian Industrial Co., Ltd

| | | | |
|--|--|-----------|------------|
| DIMENSIONS INIT: mm UNLESS OTHERWISE SPECIFIABLE | PRODUCT NAME : | DRAWING: | DATE: |
| | MINI-HDMI 19Pin C TYPE沉板短体4脚插 (鑫南天版本5) | COCO | 2009/12/10 |
| DIMENSION TOLERANCE X.X: ± 0.25 X.XX: ± 0.10 X.XXX: ± 0.05 ANGULAR: ± 1° | PRODUCT NO. : | CHECK: | DATE: |
| | 0091EAAG19Q8 | JANY | 2009/12/10 |
| | DRAWING NO. : | APPROVED: | DATE: |
| | XNT-009 | JEFF | 2009/12/10 |
| | SCALE: | DWG ID: | REV.: |
| | 1:1 | P D | A |
| | | REV.: | PAGE: |
| | | | 10F1 |

| REVISION NO. | ECR NO. | DESCRIPTION | MARK | DATE |
|--------------|---------|-------------|------|------|
| 1 | | | | |
| 2 | | | | |