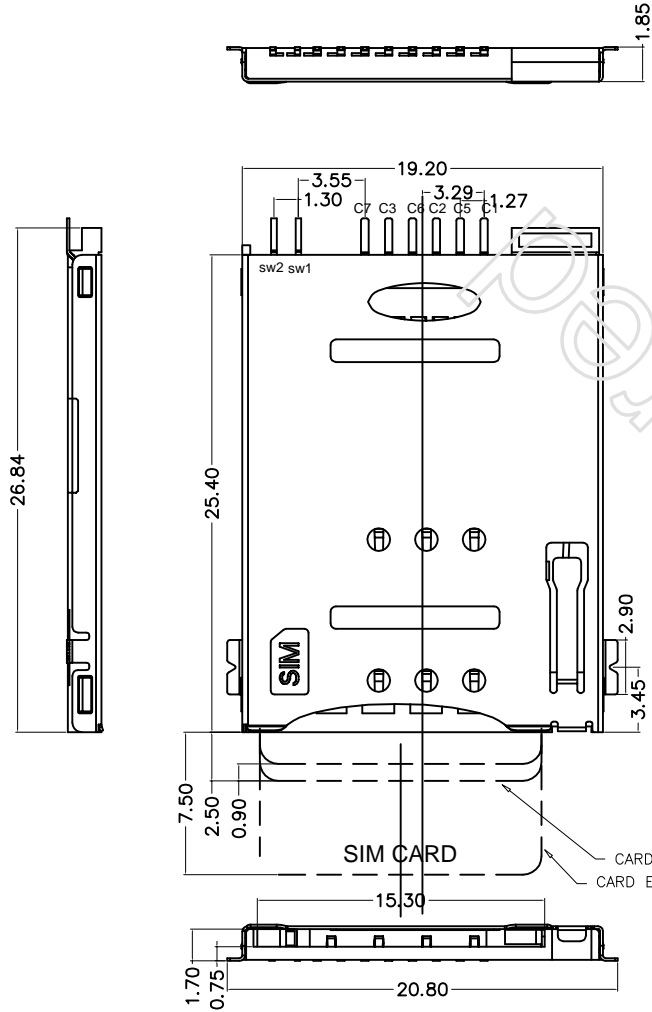
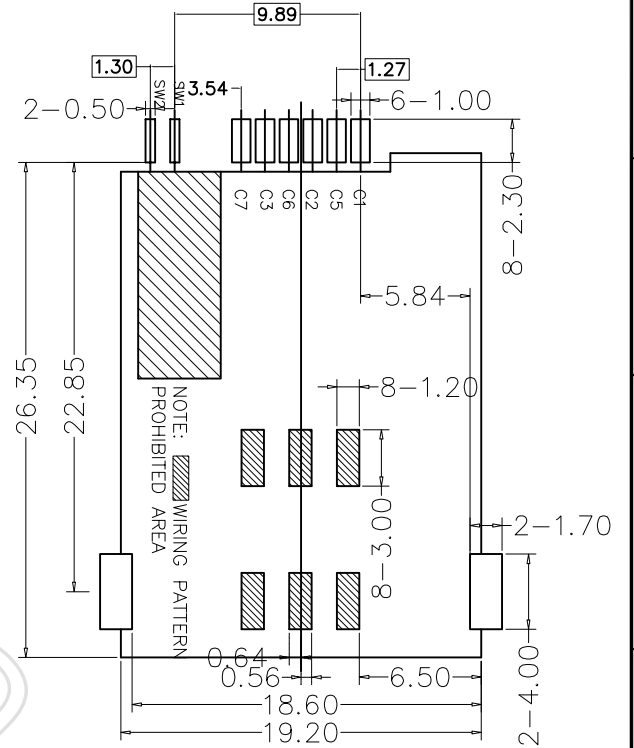


* 所有原料材质, 生产制程, 电镀必须符合ROHS要求

- SPECIFICATIONS**
 INSULATION RESISTANCE: 500M min. AT DC 500V DC
 WITHSTANDING VOLTAGE: 250V ACrms FOR 1 MINUTE
 CONTACT RESISTANCE: 100M max. AT 10mA/20mV max
 CURRENT RATING: 0.5A
 VOLTAGE RATING: 5.0 vrms
 OPERATING TEMP. RANGE: -55 C+85 C
 MATING CYCLES: 5000 INSERTIONS
- MATERIAL:**
 INSULATOR: H-TEMPERATURE PLASTIC, UL 94V-0,
 COLOR: BLACK
 TERMINAL: COPPER ALLOY, T=0.15mm
 SHELL: STAINLESS STEEL, T=0.15mm
- FINISH:**
 TERMINAL: 50u" min NICKEL UNDERPLATED ON ALLOVER, GOLD PLATING
 ON CONTACT AREA, 80u" min TIN ON SOLDER TAIL.
 SHELL: 50u" NICKEL UNDERPLATED ON ALLOVER, GOLD FLASH ON SOLDER
 LATCH

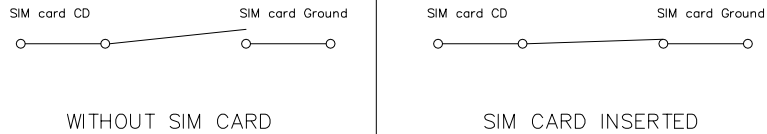


SIM pin assignment	
PIN#	Name
C1	VCC
C2	RST
C3	CLK
C4	Reserved
C5	GND
C6	VPP
C7	I/O
C8	Reserved



RECOMMENDED PCB LAYOUT

CIRCUIT:



REVISION NO.	ECR NO.	DESCRIPTION	MARK	DATE
1				
2				



深圳市鑫南天科技有限公司

Shen zhen Shi Xin Nan Tian Industrial Co., Ltd

DIMENSIONS INIT: mm UNLESS OTHERWISE SPECIFIABLE	PRODUCT NAME : SIM PUSH 6P+2 SMT	DRAWING: COCO	DATE: 2012/5/10
	PRODUCT NO. : 0081EAAS10A	CHECK: JANY	DATE: 2012/5/10
DIMENSION TOLERANCE	DRAWING NO. : XNT-005	APPROVED: JEFF	DATE: 2012/5/10
X.X: ± 0.25 X.XX: ± 0.10 X.XXX: ± 0.05 ANGULAR: ± 1°	SCALE: 1:1	DWG ID: P D	REV.: A
			PAGE: 1 of 1

版权所有: 深圳市鑫南天科技有限公司, 网址: http://www.sznantian.com

由 Autodesk 教育版产品制作

A
B
C
D
E
F